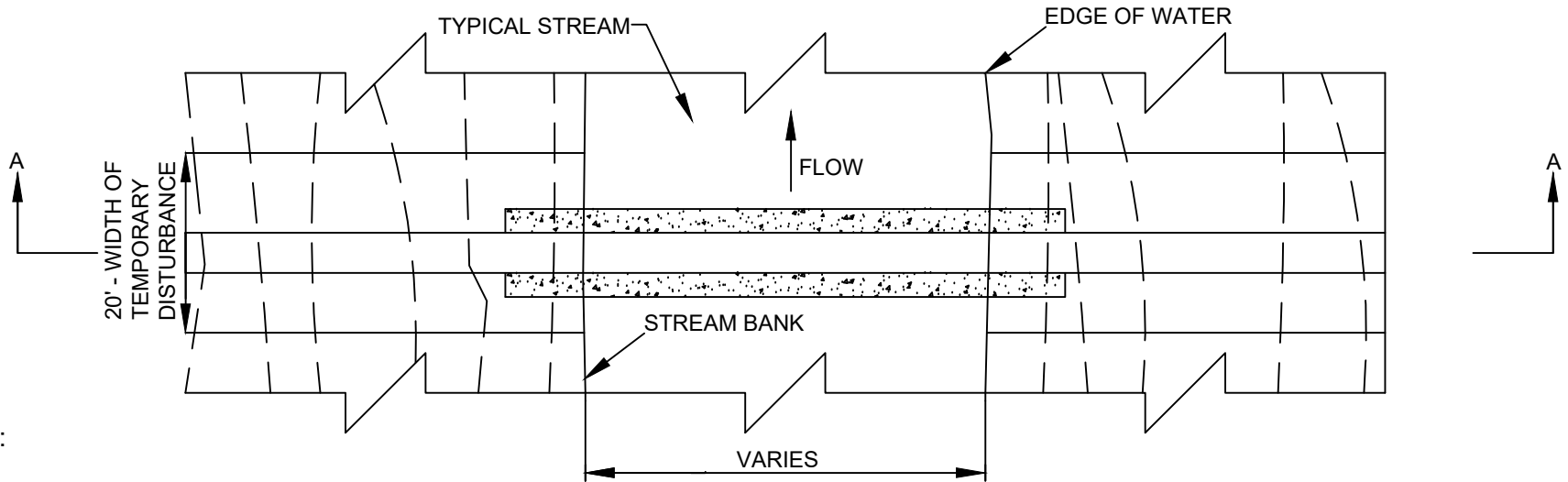


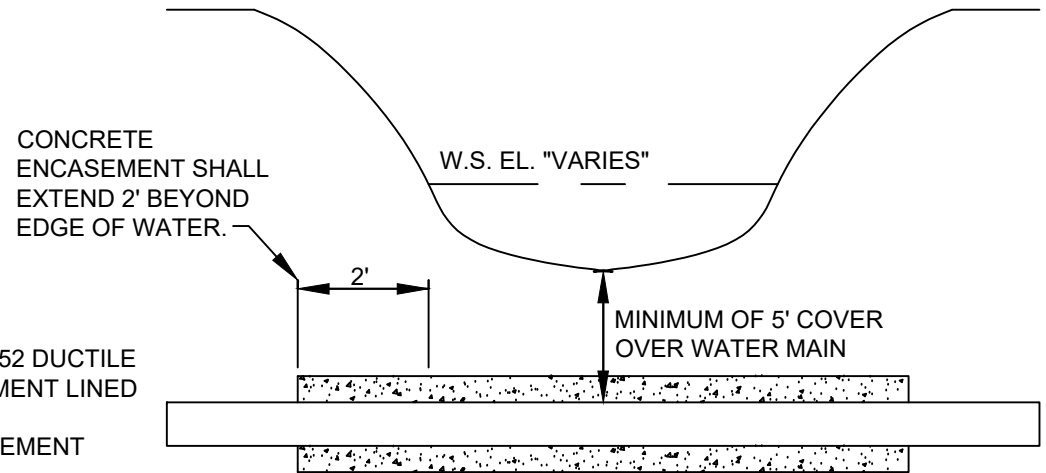
PLAN



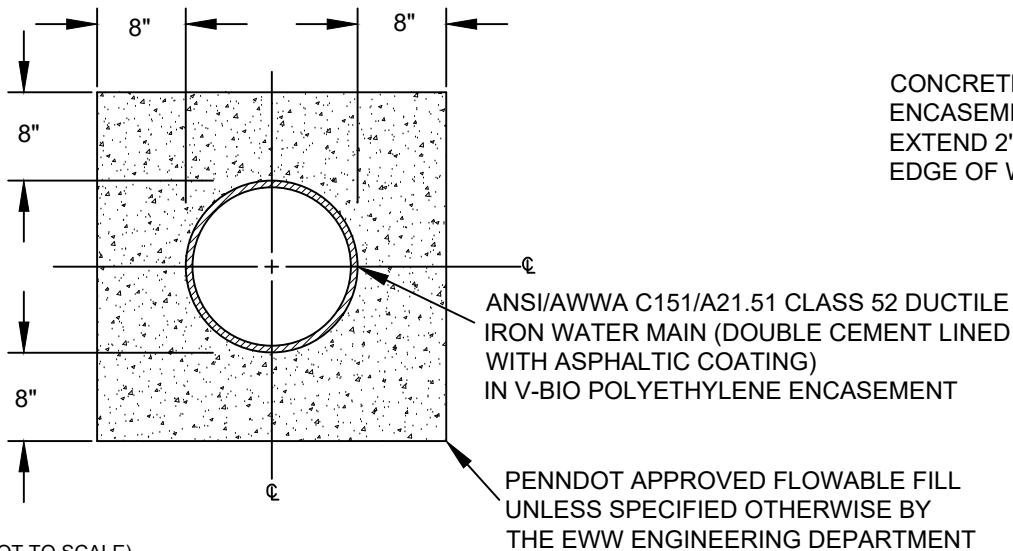
NOTES:

1. TRENCH PLUGS SHALL BE INSTALLED IMMEDIATELY PRIOR TO THE STREAM BANK AND 50' IN EITHER DIRECTION.
2. ANY MODIFICATION MUST BE APPROVED BY THE EWW ENGINEERING DEPARTMENT IN ADVANCE.

ELEVATION



SECTION A-A



(NOT TO SCALE)

DRAWN BY: RD APPROVED BY: CP
 DATE: FEB 2020 EWW - CD - 011

TYPICAL OPEN CUT WATER MAIN STREAM CROSSING

ERIE WATER WORKS
 240 West 12th Street
 Erie, PA 16501
 engineering@eriewaterworks.org

