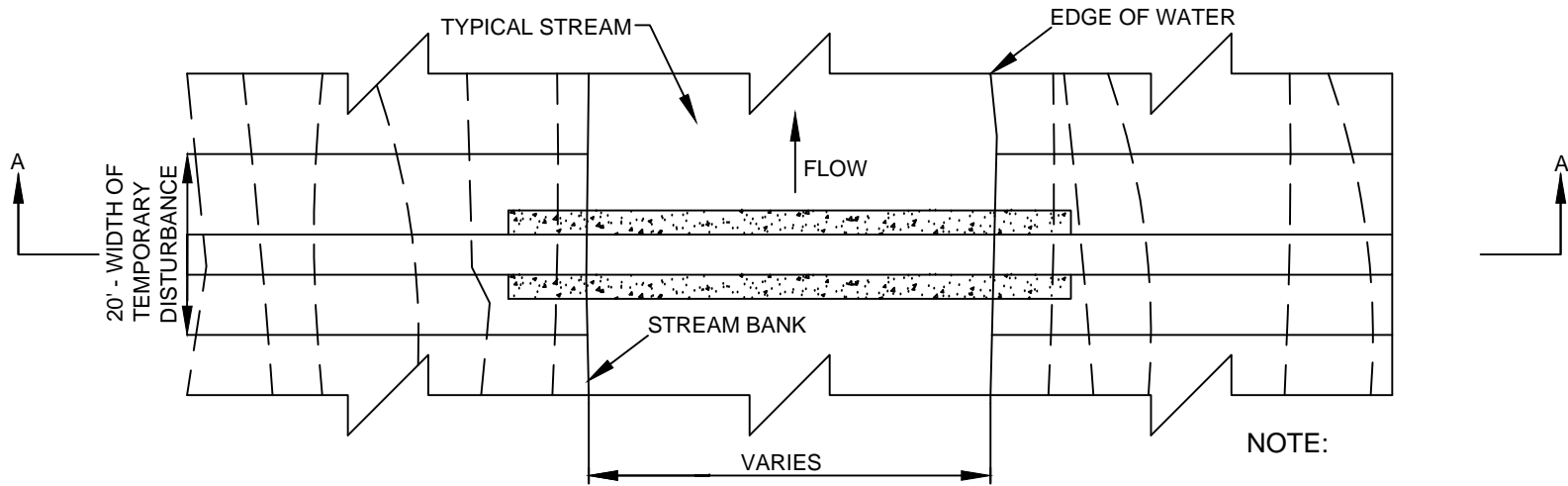
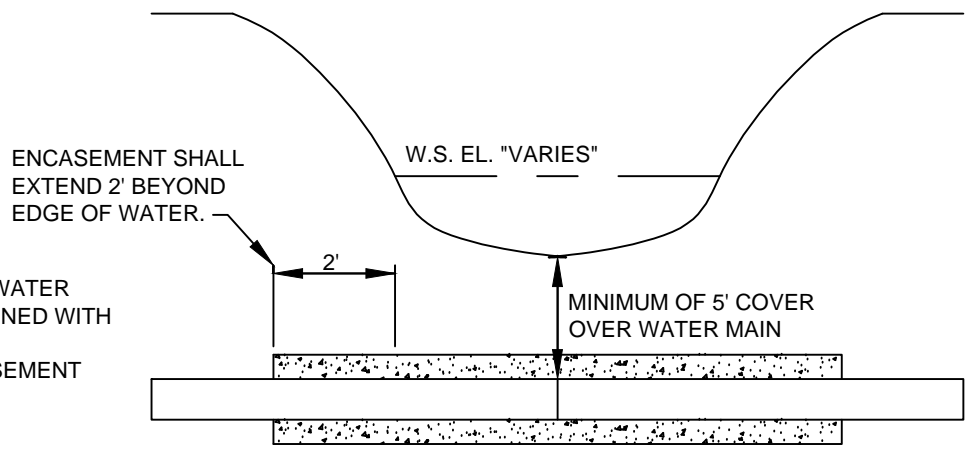
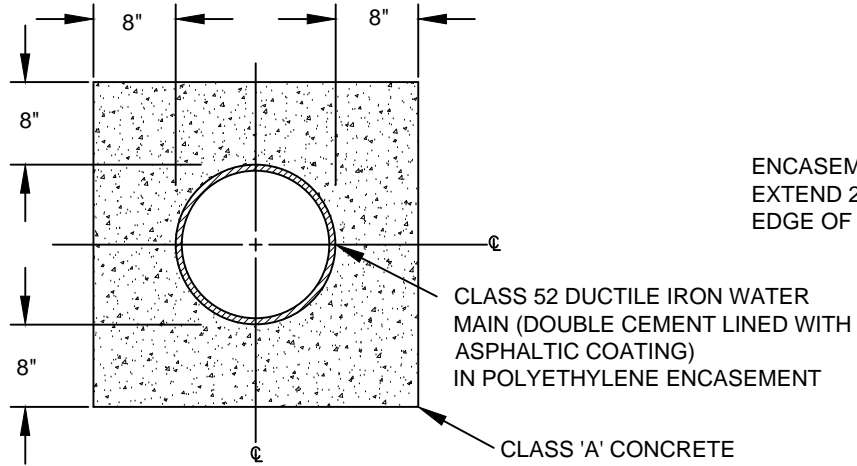


# PLAN



NOTE:  
 1. ANY MODIFICATION MUST  
 BE APPROVED BY THE EWW  
 ENGINEERING DEPARTMENT  
 IN ADVANCE.

# ELEVATION



# SECTION A-A

DRAWN BY: PH	APPROVED BY: CP
DATE: OCT 2010	NOT TO SCALE

## TYPICAL OPEN CUT WATER MAIN STREAM CROSSING

ERIE WATER WORKS  
 240 West 12th Street  
 Erie, PA 16501

