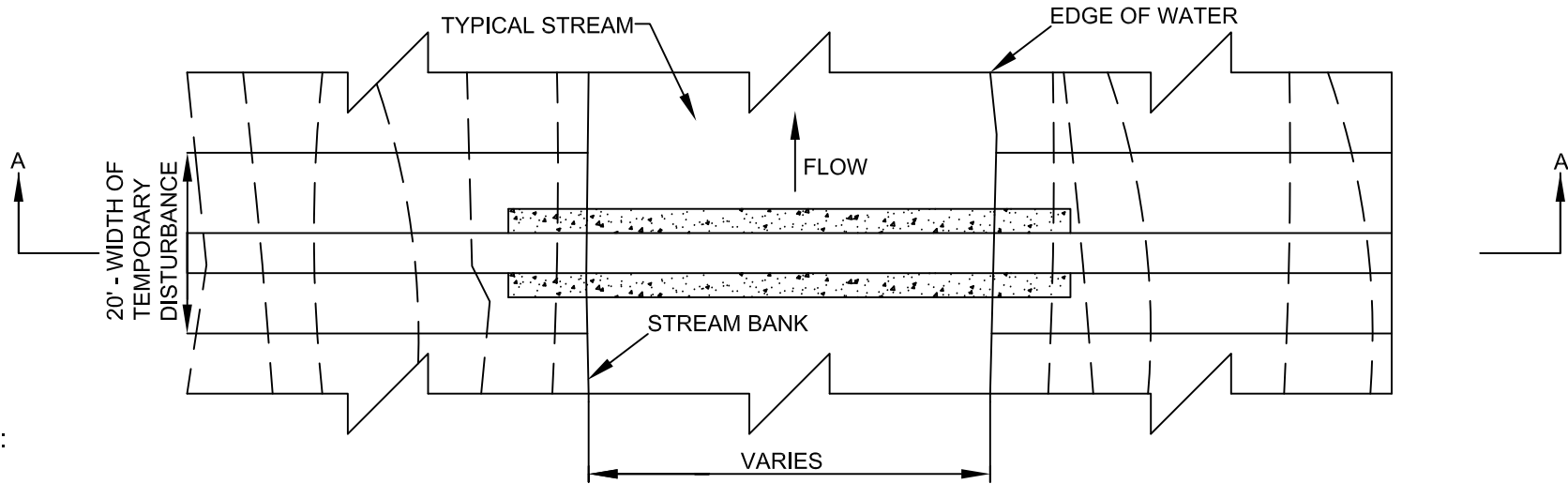


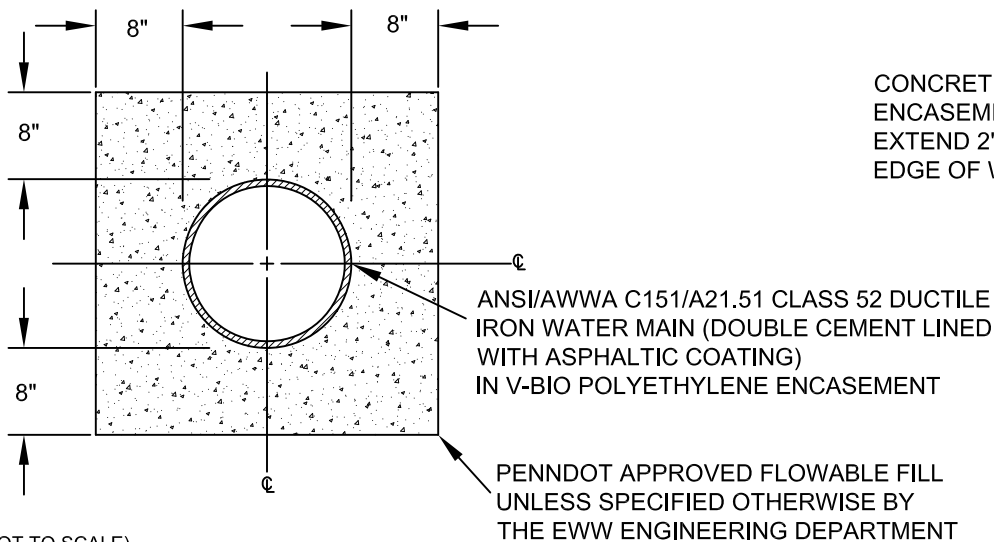
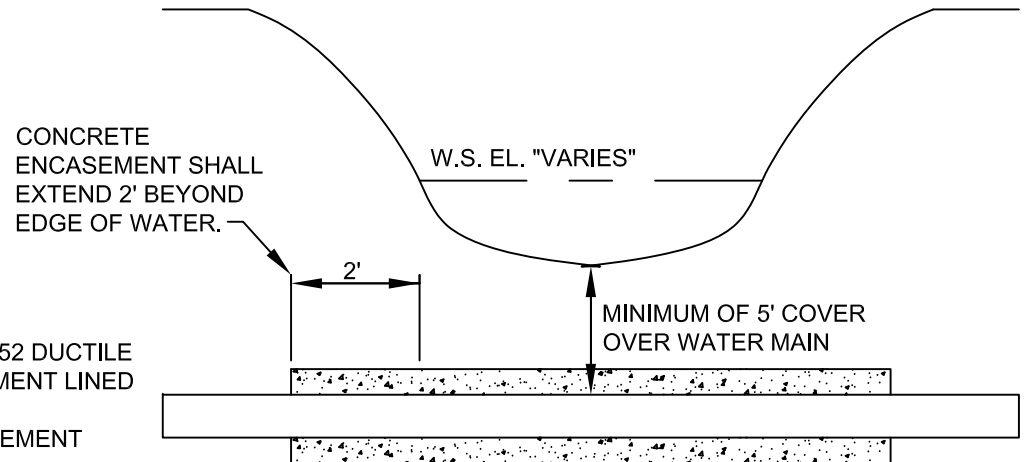
# PLAN



## NOTES:

1. TRENCH PLUGS SHALL BE INSTALLED IMMEDIATELY PRIOR TO THE STREAM BANK AND 50' IN EITHER DIRECTION.
2. ANY MODIFICATION MUST BE APPROVED BY THE EWW ENGINEERING DEPARTMENT IN ADVANCE.

# ELEVATION



(NOT TO SCALE)

# SECTION A-A

DRAWN BY: CE	APPROVED BY: CP
DATE: JAN 2018	EWV - CD - 011

## TYPICAL OPEN CUT WATER MAIN STREAM CROSSING

**ERIE WATER WORKS**  
 240 West 12th Street  
 Erie, PA 16501  
[engineeringservices@eriewaterworks.org](mailto:engineeringservices@eriewaterworks.org)

