

NOTES:

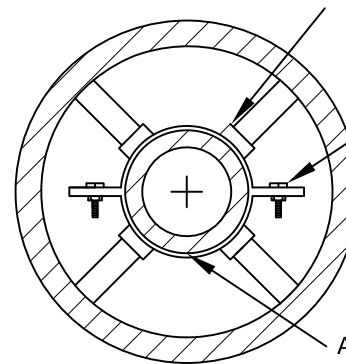
1. ALL BOLTS, NUTS, AND WASHERS EXPOSED TO DIRECT BURY CONDITIONS SHALL BE LOW ALLOY STEEL. AFTER ASSEMBLY ALL BOLTS, NUTS, AND WASHERS SHALL BE COMPLETELY COATED WITH SPRAY ON CORROSION PROTECTION AND BOLTS SHALL BE EQUIPPED WITH SACRIFICIAL ZINC ANODE CAPS (MANUFACTURED BY TRUMBULL OR APPROVED EQUAL).

2. ALL PIPES, FITTINGS, AND FIXTURES IN CONTACT WITH POTABLE WATER SHALL BE LEAD FREE PER THE REDUCTION OF LEAD IN DRINKING WATER ACT AND NSF/ANSI STANDARD 61 (NSF-61). LEAD FREE IS DEFINED AS CONTAINING NOT MORE THAN A WEIGHTED AVERAGE OF 0.25 PERCENT LEAD WHEN USED WITH RESPECT TO THE WETTED SURFACES OF PIPES, PIPE FITTINGS, PLUMBING FITTINGS, AND FIXTURES.

3. ALL MATERIALS FURNISHED AND INSTALLED MUST COMPLY WITH THE PENNSYLVANIA STEEL PRODUCTS PROCUREMENT ACT.

4. ANY MODIFICATION MUST BE APPROVED BY THE EWW ENGINEERING DEPARTMENT IN ADVANCE.

CASING SPACERS (CASCADE CASING SPACERS MODEL CCS AS MANUFACTURED BY CASCADE WATERWORKS MFG. OR APPROVED EQUAL)



MINIMUM CASING PIPE SIZE
 20" WATER MAIN - 36" CASING
 16" WATER MAIN - 30" CASING
 12" WATER MAIN - 24" CASING
 8" WATER MAIN - 16" CASING
 6" WATER MAIN - 12" CASING
 4" WATER MAIN - 10" CASING

(NOT TO SCALE)

DRAWN BY: CE	APPROVED BY: CP
DATE: JAN 2018	EWV - CD - 010

STEEL CASING AND DUCTILE IRON WATER MAIN (BORE)

ERIE WATER WORKS
 240 West 12th Street
 Erie, PA 16501
engineering@eriewaterworks.org

